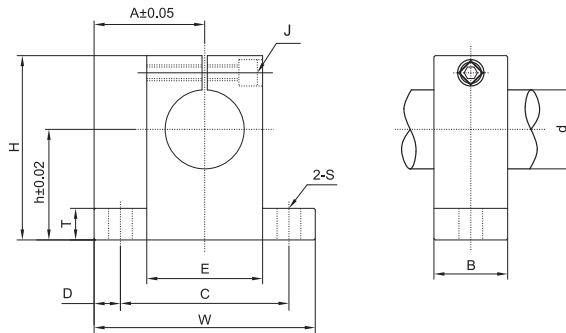
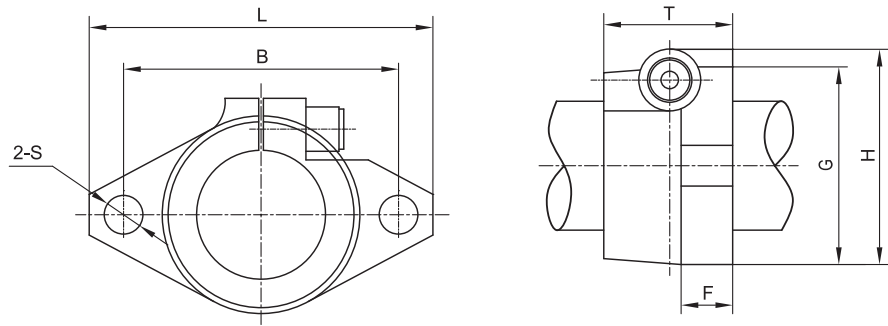


SH 轴端支撑座 Shaft end blocks



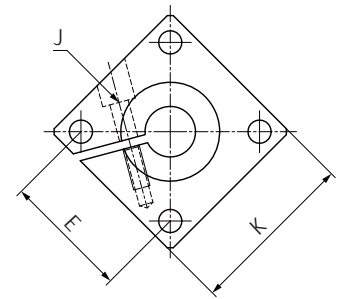
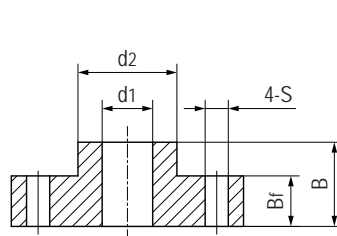
产品编码 Part No.	轴径 Shaft d ₁ [mm]	尺寸 Size [mm]											重量 Weight [g]
		h	A	W	H	T	E	D	C	B	S	J	
SH-10	10	20	21	42	32.8	6	18	5	32	14	5.5	M4	24
SH-12	12	23	21	42	37.5	6	20	5	32	14	5.5	M4	30
SH-16	16	27	24	48	44	8	25	5	38	16	5.5	M4	40
SH-20	20	31	30	60	51	10	30	7.5	45	20	6.6	M5	70
SH-25	25	35	35	70	60	12	38	7	56	24	6.6	M6	130
SH-30	30	42	42	84	70	12	44	10	64	28	9	M6	180
SH-40	40	60	57	114	96	15	60	12	90	36	11	M8	420
SH-50	50	70	63	126	120	18	74	13	100	40	14	M12	750

SHF 轴端支撑座 Shaft end blocks



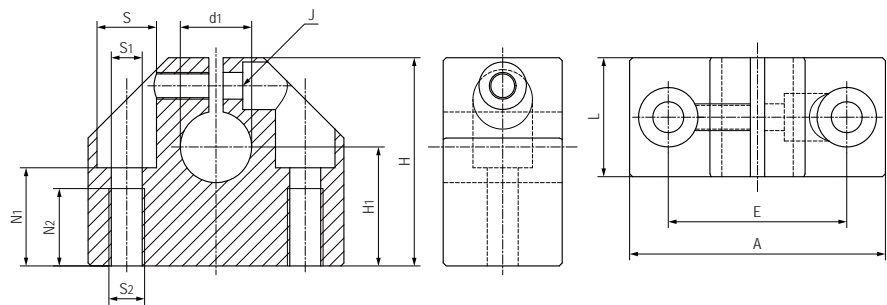
产品编码 Part No.	轴径 Shaft [mm]	尺寸 Size [mm]							安装螺栓 Fitting screws	安全螺栓 Safety screws	重量 Weight [g]
		L	T	F	B	G	H	S			
SHF-10	10	43	10	5	32	20	24	5.5	M5	M4	13
SHF-12	12	47	13	7	36	25	28	5.5	M5	M4	20
SHF-16	16	50	16	8	40	28	31	5.5	M5	M4	27
SHF-20	20	60	20	8	48	34	37	7	M6	M5	40
SHF-25	25	70	25	10	56	40	42	7	M6	M5	60
SHF-30	30	80	30	12	64	46	50	9	M8	M6	110
SHF-40	40	102	40	16	80	56	67	12	M10	M10	510
SHF-50	50	122	50	19	96	70	83	14	M12	M12	890

WAF 轴端支撑座 Shaft end blocks



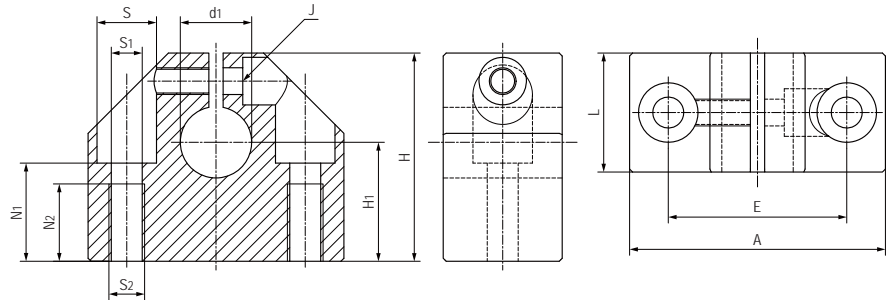
产品编码 Part No.	轴径 Shaft d_1 [mm]	尺寸 Size [mm]							重量 Weight [g]
		d_2	B	B_f	K	E	S	J	
WAF-12	12	23.5	20	12	40	30 ± 0.12	5.5	M3	59
WAF-16	16	27.5	20	12	50	35 ± 0.12	5.5	M3	86
WAF-20	20	33.5	23	14	50	38 ± 0.15	6.6	M4	96
WAF-25	25	42.0	25	16	60	42 ± 0.15	6.6	M5	151
WAF-30	30	49.5	30	19	70	54 ± 0.15	9.0	M6	231
WAF-40	40	65	40	26	100	68 ± 0.25	11.0	M8	638
WAF-50	50	75	50	36	100	75 ± 0.25	11.0	M8	810

WA 轴端支撑座 Shaft end blocks



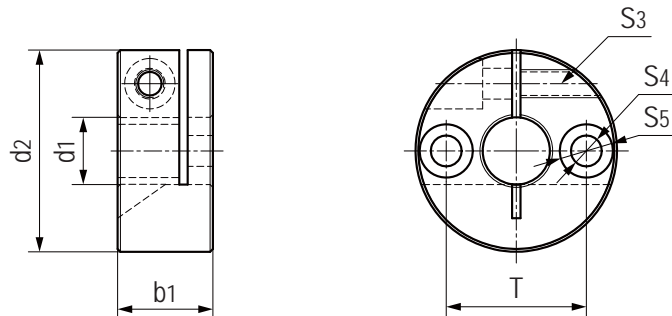
产品编码 Part No.	轴径 Shaft d_1 [mm]	尺寸 Size [mm]											重量 Weight [g]
		L	H	$H_1 \pm 0.02$	A	S	S_1	S_2	$E \pm 0.1$	N_1	N_2	J	
WA-08	8	18	28	15	32	6	3.3	M4	22	13	9	3	42
WA-12	12	20	35	20	43	10	5.2	M6	30	16.5	13	3	66
WA-16	16	24	42	25	53	11	6.8	M8	38	21	18	4	112
WA-20	20	30	50	30	60	15	8.6	M10	42	25	22	5	172
WA-25	25	38	60	35	78	18	10.3	M12	56	30	26	6	340
WA-30	30	40	70	40	87	18	10.3	M12	64	34	26	6	473
WA-40	40	48	90	50	108	20	14.25	M16	82	44	34	8	897
WA-50	50	58	105	60	132	26	17.5	M20	100	49	43	10	1488

WAC 轴端支撑座 Shaft end blocks

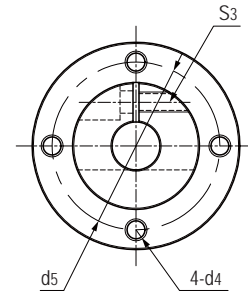
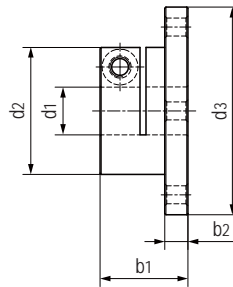


产品编码 Part No.	轴径 Shaft d ₁ [mm]	尺寸 Size [mm]											重量 Weight [g]
		L	H	H ₁ ^{+0.02 -0.01}	A	S	S ₁	S ₂	E ± 0.1	N ₁	N ₂	J	
WAC-06	6	16	27	15	32	8	4.2	M5	22	13	11	3	36
WAC-08	8	16	27	16	32	8	4.2	M5	22	13	11	3	37
WAC-10	10	18	33	18	40	10	5.2	M6	27	16	13	3	52
WAC-12	12	18	33	19	40	10	5.2	M6	27	16	13	3	53
WAC-16	16	20	38	22	45	10	5.2	M6	32	18	13	3	72
WAC-20	20	24	45	25	53	11	6.8	M8	39	22	18	4	114
WAC-25	25	28	54	31	62	15	8.6	M10	44	26	22	5	167
WAC-30	30	30	60	34	67	15	8.6	M10	49	29	22	5	212
WAC-40	40	40	76	42	87	18	10.3	M12	66	38	26	6	462
WAC-50	50	50	92	50	103	20	14.25	M16	80	46	34	8	811

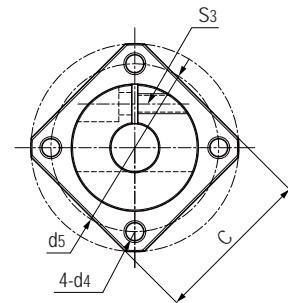
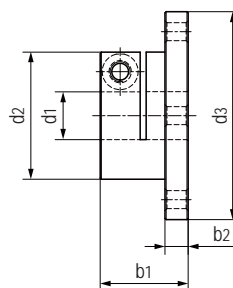
SAN 轴端支撑座 Shaft end blocks



产品编码 Part No.	轴径 Shaft d ₁ H7 [mm]	公差 Tolerance [mm]	尺寸 Size [mm]						配套内六角螺丝 Screws	重量 Weight [g]
			d ₂	b ₁	S ₃	S ₄	S ₅	T ^{0 -0.15}		
SAN-08	8	0/+0.015	30	16	M5	4.5	8	20	M5 x 12	32
SAN-10	10	0/+0.015	34	17	M5	5.5	9.5	22	M5 x 12	39
SAN-12	12	0/+0.018	36	17	M5	5.5	9.5	25	M5 x 12	42
SAN-16	16	0/+0.018	39	22	M6	5.5	9.5	28	M6 x 16	55
SAN-20	20	0/+0.021	49	22	M6	6.6	11	35	M6 x 16	84
SAN-25	25	0/+0.021	54	22	M6	6.6	11	40	M6 x 16	96
SAN-30	30	0/+0.021	59	24	M6	6.6	11	45	M6 x 16	119

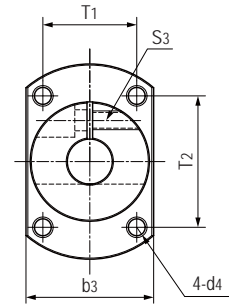
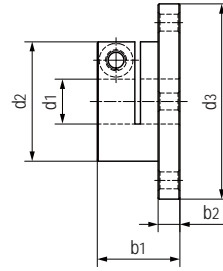
SARF 轴端支撑座 Shaft end blocks


产品编码 Part No.	轴径 Shaft d ₁ H7 [mm]	公差 Tolerance [mm]	尺寸 Size [mm]							S ₃	配套内六角螺丝 Screws	重量 Weight [g]
			d ₂	d ₃ ⁰ _{-0.2}	d ₄	d ₅ ± 0.15	b ₁	b ₂				
SARF-08	8	0/+0.015	24.8	39	3.5	32	18	4.8	M4	M4 x 10	37	
SARF-10	10	0/+0.015	29.8	49	4.5	40	20	4.8	M5	M5 x 10	54	
SARF-12	12	0/+0.018	31.8	52	4.5	42	22	5.8	M5	M5 x 12	66	
SARF-16	16	0/+0.018	34.8	56	5.5	46	30	5.8	M5	M5 x 12	88	
SARF-20	20	0/+0.021	39.8	64	6.6	52	32	7.8	M5	M5 x 16	124	
SARF-25	25	0/+0.021	44.8	69	6.6	57	38	7.8	M5	M5 x 16	158	
SARF-30	30	0/+0.021	54.8	79	6.6	67	40	9.8	M6	M6 x 20	242	
SARF-40	40	0/+0.025	69.8	104	9	87	55	11.8	M8	M8 x 25	515	
SARF-50	50	0/+0.025	84.8	119	9	102	65	11.8	M10	M10 x 35	794	

SAQF 轴端支撑座 Shaft end blocks


产品编码 Part No.	轴径 Shaft d ₁ H7 [mm]	公差 Tolerance [mm]	尺寸 Size [mm]							S ₃	C ⁰ _{-0.2}	配套内六角螺丝 Screws	重量 Weight [g]
			d ₂	d ₃ ⁰ _{-0.2}	d ₄	d ₅ ± 0.15	b ₁	b ₂					
SAQF-08	8	0/+0.015	24.8	39	3.5	32	18	4.8	M4	30	M4 x 10	33	
SAQF-10	10	0/+0.015	29.8	49	4.5	40	20	4.8	M5	38	M5 x 10	48	
SAQF-12	12	0/+0.018	31.8	52	4.5	42	22	5.8	M5	40	M5 x 12	58	
SAQF-16	16	0/+0.018	34.8	56	5.5	46	30	5.8	M5	44	M5 x 12	80	
SAQF-20	20	0/+0.021	39.8	64	6.6	52	32	7.8	M5	50	M5 x 16	108	
SAQF-25	25	0/+0.021	44.8	69	6.6	57	38	7.8	M5	54	M5 x 16	139	
SAQF-30	30	0/+0.021	54.8	79	6.6	67	40	9.8	M6	60	M6 x 20	207	
SAQF-40	40	0/+0.025	69.8	104	9	87	55	11.8	M8	81	M8 x 25	450	
SAQF-50	50	0/+0.025	84.8	119	9	102	65	11.8	M10	94	M10 x 35	715	

SANF 轴端支撑座 Shaft end blocks



产品编码 Part No.	轴径 Shaft d_1 H7 [mm]	公差 Tolerance [mm]	尺寸 Size [mm]									配套内六角螺丝 Screws	重量 Weight [g]
			d_2	$d_3^{0}_{-0.2}$	d_4	b_1	b_2	$b_3^{0}_{-0.2}$	S_3	$T_1 \pm 0.15$	$T_2 \pm 0.15$		
SANF-08	8	0/+0.015	24.8	39	3.5	18	4.8	27	M4	20	25	M4 x 10	34
SANF-10	10	0/+0.015	29.8	49	4.5	20	4.8	32	M5	23	33	M5 x 10	49
SANF-12	12	0/+0.018	31.8	52	4.5	22	5.8	34	M5	25	35	M5 x 12	58
SANF-16	16	0/+0.018	34.8	56	5.5	30	5.8	37	M5	27	37	M5 x 12	80
SANF-20	20	0/+0.021	39.8	64	6.6	32	7.8	42	M5	30	43	M5 x 16	108
SANF-25	25	0/+0.021	44.8	69	6.6	38	7.8	47	M5	34	46	M5 x 16	142
SANF-30	30	0/+0.021	54.8	79	6.6	40	9.8	57	M6	45	50	M6 x 20	220
SANF-40	40	0/+0.025	69.8	104	9	55	11.8	76	M8	55	67	M8 x 25	471
SANF-50	50	0/+0.025	84.8	119	9	65	11.8	91	M10	60	82	M10 x 35	747